

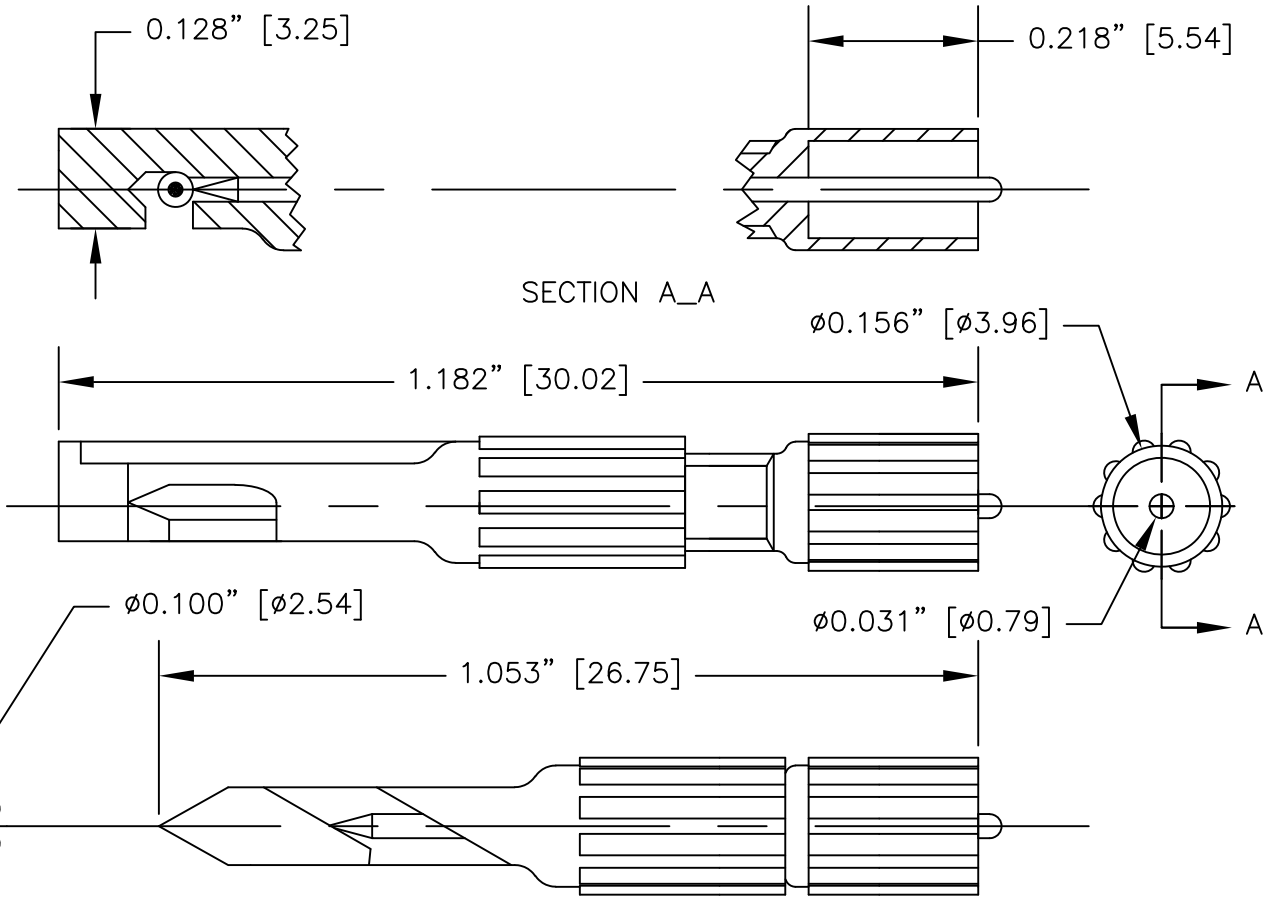
NOTES: UNLESS OTHERWISE SPECIFIED

1. CONSTRUCTION:
HOUSING & PLUNGER: NYLON. AVAILABLE IN GRAY.
NEEDLE: NICKEL PLATED STEEL.

2. PERFORMANCE:
MAXIMUM CURRENT: 500 mA
MAXIMUM VOLTAGE: 300 V
MAXIMUM TEMPERATURE: 200°F (93°C)

3. FEATURES:
SHROUDED $\phi 0.030$ [$\phi 0.76$] PIN PLUG
CONNECTS TO ANY STANDARD $\phi 0.030$
[$\phi 0.76$] SOCKET.
NEEDLE PIERCES LEADS UP TO $\phi 0.050$
[$\phi 1.27$].

LTR	REVISIONS		
	DESCRIPTION	DATE	APPROVED



UNLESS OTHERWISE SPECIFIED DIMENSIONS ARE IN INCHES TOLERANCES ARE: FRACTIONS DECIMALS ANGLES ± .XX ± ± .XXX ±		CONTRACT NO.		E-Z-HOOK DIVISION OF TEKTEST INC. ARCADIA, CA 91006 U.S.A.				
		APPROVALS	DATE					DESCRIPTION
MATERIAL SEE NOTE.		DRAWN	R.L.	7/09	E-Z-MICRO HOOK, ANGLED INSULATION-PIERCING CONN.			
FINISH SEE NOTE.		APPROVED BY			SIZE	CODE IDENT NO.	DRAWING NO.	REV.
NEXT ASSY	USED ON			A		08505	XEPACOLOR	
APPLICATION		DO NOT SCALE DRAWING		SCALE	4:1		SHEET 1 OF 1	

THE INFORMATION CONTAINED IN THIS DOCUMENT IS PROPRIETARY TO E-Z-HOOK. THE INFORMATION IS NOT TO BE REPRODUCED WITHOUT PRIOR WRITTEN PERMISSION OF E-Z-HOOK, DIV. OF TEKTEST INC. MAXIMUM TESTED RATINGS IN A HANDS-FREE CONTROLLED ENVIRONMENT. MAXIMUM RATINGS ARE NOT TO BE USED CONCURRENTLY.