

NOTES: UNLESS OTHERWISE SPECIFIED

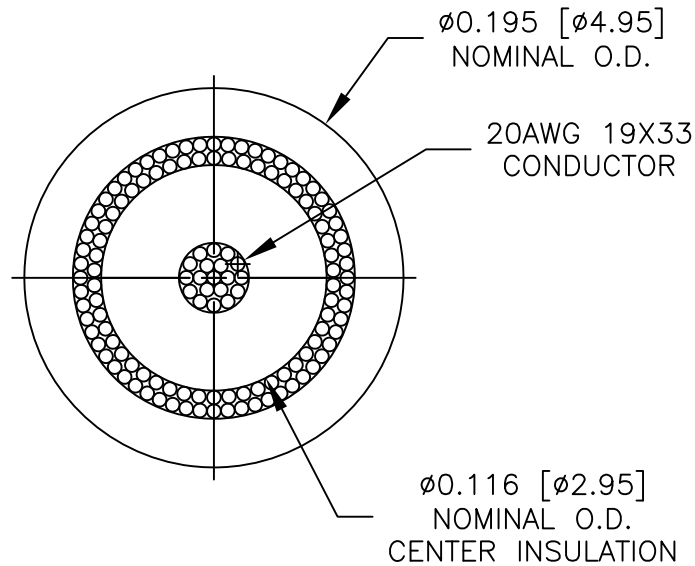
1. AVAILABLE IN 100, 500, AND 1,000 FT SPOOLS

2. PERFORMANCE:

NOMINAL IMPEDENCE: 50 OHMS

CAPACITANCE: 30.8 PF/FT

		REVISIONS	
LTR	DESCRIPTION	DATE	APPROVED



ACTUAL SIZE

		UNLESS OTHERWISE SPECIFIED DIMENSIONS ARE IN INCHES TOLERANCES ARE: FRACTIONS DECIMALS ANGLES $\pm N/A$ $.XX \pm N/A$ $\pm N/A$ $.XXX \pm$	CONTRACT NO.		E-Z-HOOK ® DIVISION OF TEKTEST INC. ARCADIA, CA 91006 U.S.A.					
			APPROVALS	DATE					DESCRIPTION	
			DRAWN	R.L.	10/15	RG58C/U COAXIAL CABLE				
		MATERIAL		APPROVED BY						SIZE
		WIRE: COPPER				A		08505	9610	
		INSULATION: PVC				SCALE				
		CENTER INSULATION: PE				10:1				SHEET 1 OF 1
NEXT ASSY	USED ON	FINISH								
		WIRE: TINNED								
		INSULATION: BLK								
		CENTER INSULATION: WTE								
APPLICATION		DO NOT SCALE DRAWING								