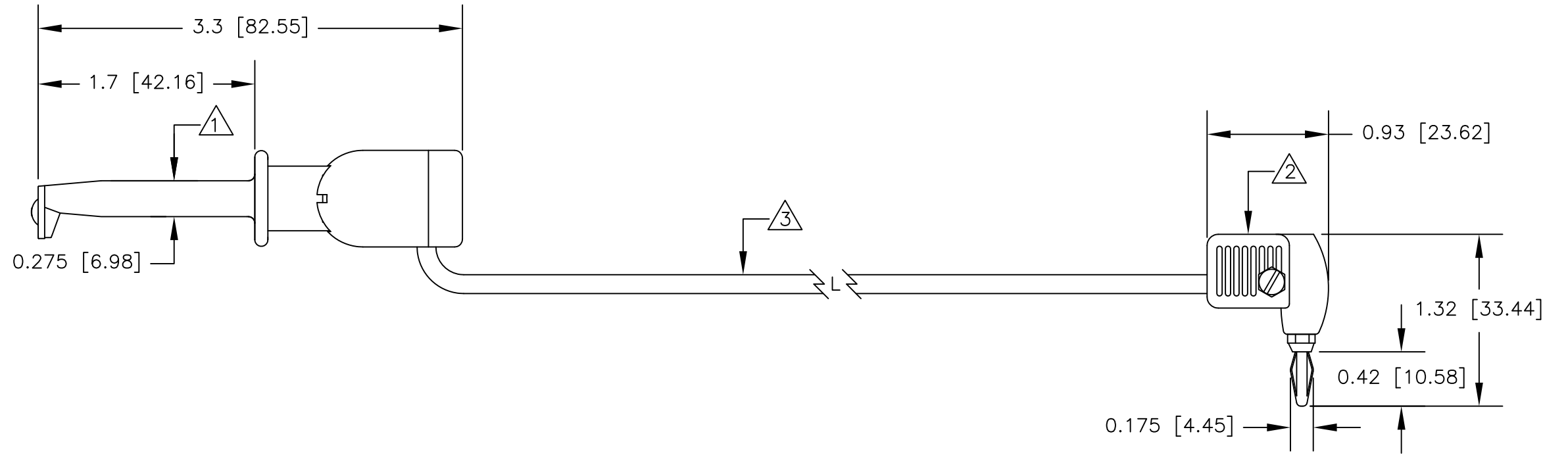


NOTES: UNLESS OTHERWISE SPECIFIED

1. P/N: XHCOLOR
HOUSING & PLUNGER: MOLDED NYLON. AVAILABLE IN TEN COLORS.
CONTACT BLADE: NICKEL SILVER ALLOY.
SPRING: STAINLESS STEEL.
2. P/N: 9206COLOR
HOUSING: MOLDED PHENOLIC PLASTIC. AVAILABLE IN BLACK AND RED.
FRAME: NICKEL PLATED BRASS.
CONTACT: NICKEL PLATED BeCu OR PHOSPHOR BRONZE.
HARDWARE: STAINLESS STEEL NUT AND SCREW.
3. P/N: W-600/COLOR
18AWG 65X36 TINNED COPPER
0.144 [3.66] O.D. PVC INSULATION
AVAILABLE IN TEN COLORS.
4. PERFORMANCE
MAXIMUM CURRENT: 4.0 AMPS
MAXIMUM VOLTAGE: 5000 W.V.D.C.
MAXIMUM TEMPERATURE: 221°F (105°C)

REVISIONS			
LTR	DESCRIPTION	DATE	APPROVED



		UNLESS OTHERWISE SPECIFIED DIMENSIONS ARE IN INCHES TOLERANCES ARE: FRACTIONS DECIMALS ANGLES ± .XX ± ± .XXX ±	CONTRACT NO.		E-Z-HOOK DIVISION OF TEKTEST INC. ARCADIA, CA 91006 U.S.A.	
			APPROVALS	DATE		
		MATERIAL SEE NOTE.	DRAWN	R.L.	5/13	
			APPROVED BY			
		FINISH SEE NOTE.	SIZE	CODE IDENT NO.	DRAWING NO.	REV.
NEXT ASSY	USED ON		B	08505	605XJ	
APPLICATION		DO NOT SCALE DRAWING	SCALE	1:1	SHEET 1 OF 1	