

NOTES: UNLESS OTHERWISE SPECIFIED

1. P/N: 9267-0002 & P/N: 0344
 BODY & FITTINGS: NICKEL PLATED BRASS
 CONTACT: GOLD PLATED BRASS.
 DIELECTRIC: PTFE
 SPRING: NICKEL PLATED SK5
 SPRING: RED RUBBER
 WASHER: COPPER, TIN, NICKEL PLATED CSR

2. P/N: 0480 & P/N: 0148/0 & P/N: 0581
 HOUSING: BLK MOLDED DELRIN
 CONTACT: GOLD PLATED BeCu
 HEAT SHRINK: BLK HEAT SHRINK

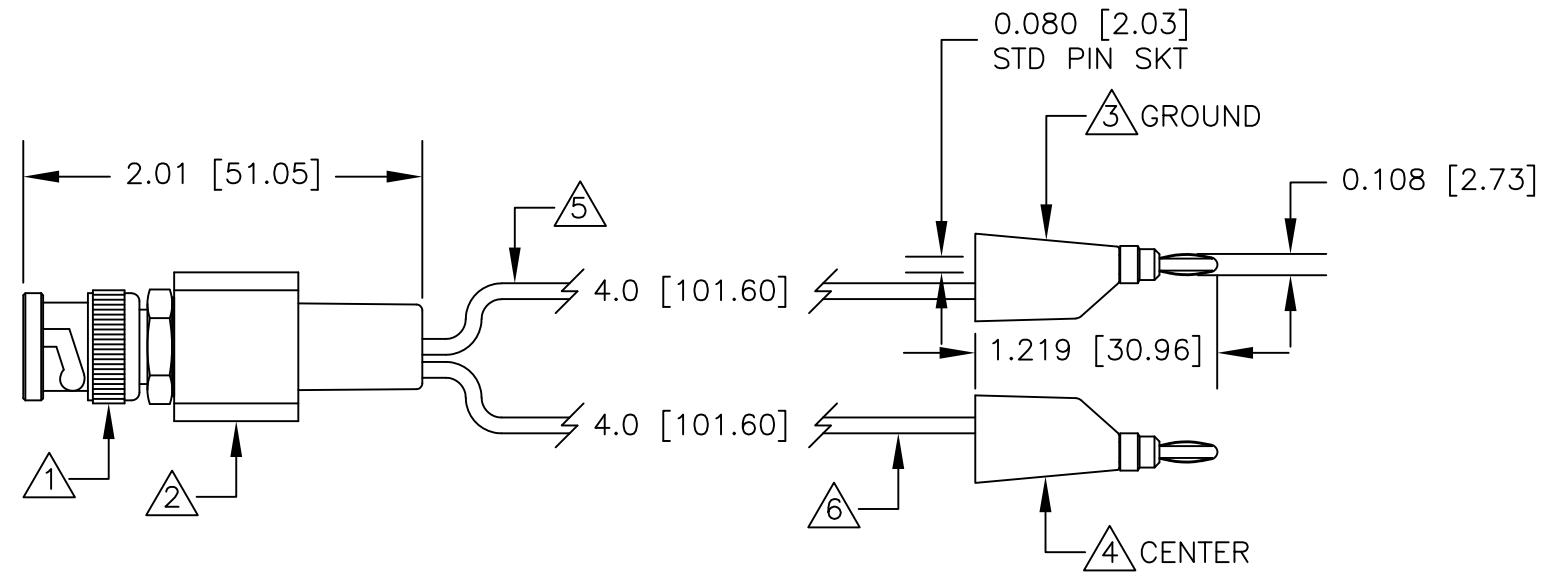
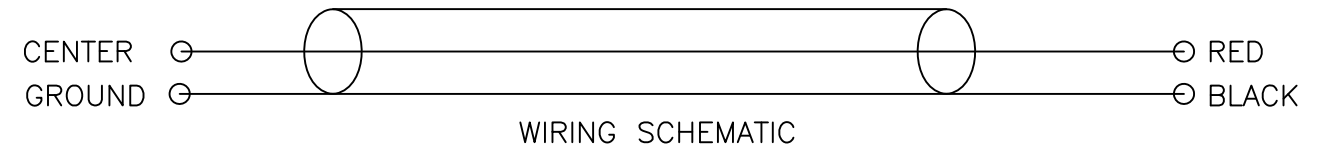
3. P/N: 9261BLK
 HOUSING: BLK MOLDED NYLON.
 SOCKET & BAN FRAME: NICKEL PLATED BRASS.
 CONTACT: NICKEL PLATED BeCu OR PHOSPHOR BRONZE.

4. P/N: 9261RED
 HOUSING: RED MOLDED NYLON.
 SOCKET & BAN FRAME: NICKEL PLATED BRASS.
 CONTACT: NICKEL PLATED BeCu OR PHOSPHOR BRONZE.

5. P/N: W-500/0
 20AWG TINNED COPPER STRANDING
 0.080 [2.03] O.D. PVC INSULATION

6. P/N: W-500/2
 20AWG TINNED COPPER STRANDING
 0.080 [2.03] O.D. PVC INSULATION

LTR	DESCRIPTION	REVISIONS	
		DATE	APPROVED



		UNLESS OTHERWISE SPECIFIED DIMENSIONS ARE IN INCHES TOLERANCES ARE: FRACTIONS DECIMALS ANGLES ± .XX ± ± .XXX ±	CONTRACT NO.		E-Z-HOOK DIVISION OF TEKTEST INC. ARCADIA, CA 91006 U.S.A.
			APPROVALS	DATE	
		MATERIAL SEE NOTE.	DRAWN	R.L.	DESCRIPTION BNC MALE BREAKOUT TO 4" 9261 STD STK BAN PLUG LEADS
			APPROVED BY		
		FINISH SEE NOTE.			SIZE
NEXT ASSY	USED ON				CODE IDENT NO.
APPLICATION		DO NOT SCALE DRAWING			DRAWING NO.
					REV.
					B 08505
					1016M
					SCALE
					1:1
					SHEET 1 OF 1