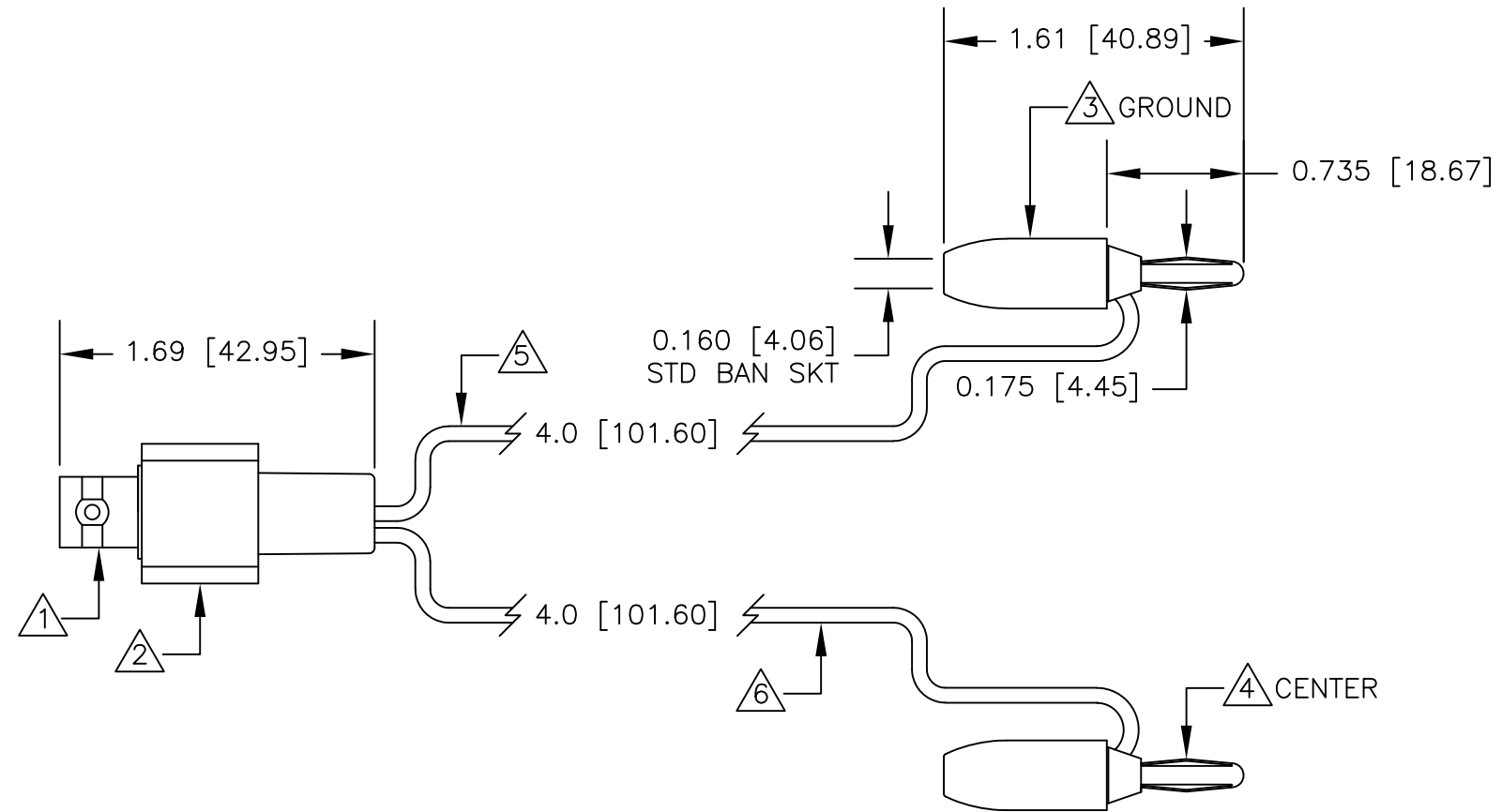
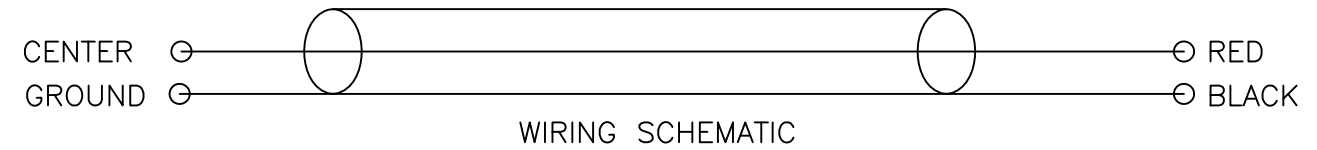


NOTES: UNLESS OTHERWISE SPECIFIED

1. P/N: 9230  
 BODY & FITTINGS: BRASS. NICKEL PLATED.  
 PIN: BRASS. GOLD PLATED.  
 DIELECTRIC: PTFE.
2. P/N: 0480 & P/N: 0148/0 & P/N: 0581  
 HOUSING: BLK MOLDED DELRIN  
 CONTACT: GOLD PLATED BeCu  
 HEAT SHRINK: BLK HEAT SHRINK
3. P/N: 9203BLK  
 HOUSING: BLK MOLDED NYLON.  
 FRAME: NICKEL PLATED BRASS.  
 CONTACT: NICKEL PLATED BeCu OR PHOSPHOR BRONZE.
4. P/N: 9203RED  
 HOUSING: RED MOLDED NYLON.  
 FRAME: NICKEL PLATED BRASS.  
 CONTACT: NICKEL PLATED BeCu OR PHOSPHOR BRONZE.
5. P/N: W-500/0  
 20AWG TINNED COPPER STRANDING  
 0.080 [2.03] O.D. PVC INSULATION
6. P/N: W-500/2  
 20AWG TINNED COPPER STRANDING  
 0.080 [2.03] O.D. PVC INSULATION

LTR	REVISIONS		DATE	APPROVED
	DESCRIPTION			



		UNLESS OTHERWISE SPECIFIED DIMENSIONS ARE IN INCHES TOLERANCES ARE: FRACTIONS DECIMALS ANGLES ± .XX ± ± .XXX ±	CONTRACT NO.		<b>E-Z-HOOK</b> DIVISION OF TEKTEST INC. ARCADIA, CA 91006 U.S.A.
			APPROVALS	DATE	
		MATERIAL SEE NOTE.	DRAWN R.L.	4/19	DESCRIPTION BNC FEMALE BREAKOUT TO 4" 9203 STK STD BAN PLUG LEADS
		FINISH SEE NOTE.	APPROVED BY		SIZE CODE IDENT NO. DRAWING NO. REV. <b>B 08505 1006</b>
NEXT ASSY	USED ON				SCALE 1:1 SHEET 1 OF 1
APPLICATION		DO NOT SCALE DRAWING			