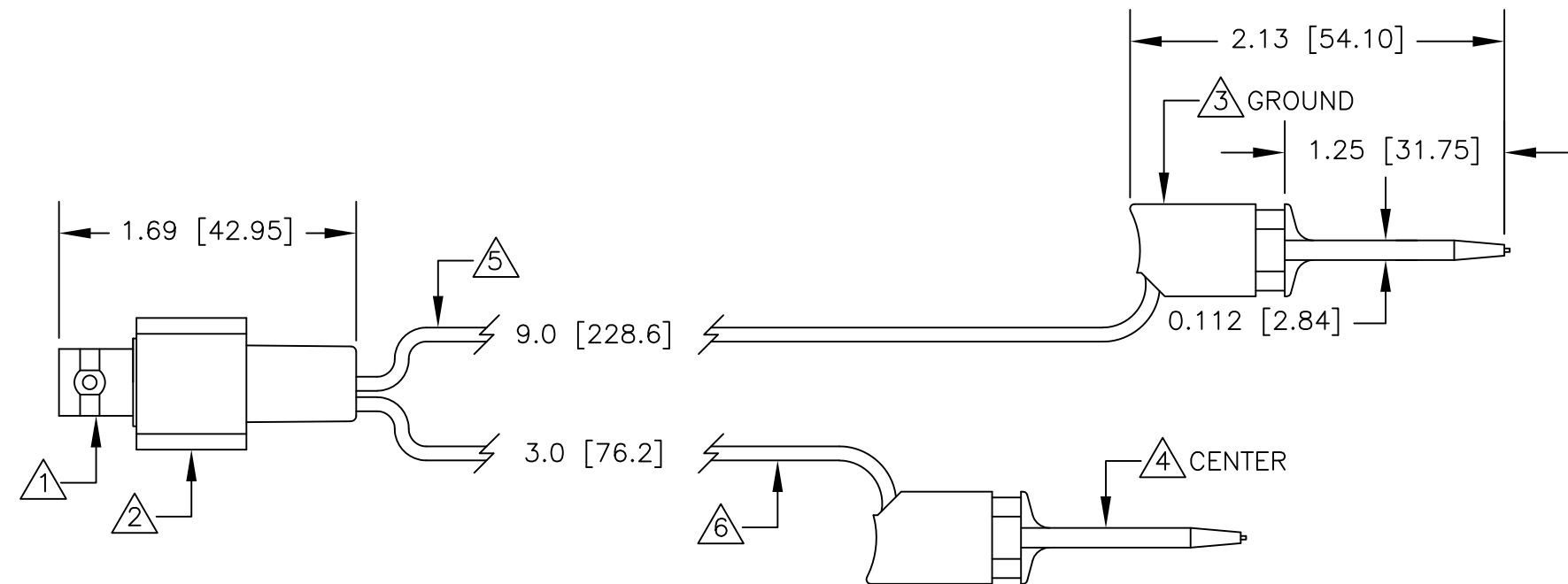
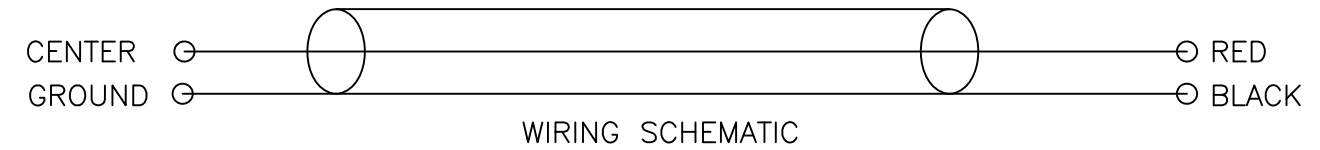


NOTES: UNLESS OTHERWISE SPECIFIED

1. P/N: 9230
BODY & FITTINGS: BRASS. NICKEL PLATED.
PIN: BRASS. GOLD PLATED.
DIELECTRIC: PTFE.
2. P/N: 0480 & P/N: 0148/0 & P/N: 0581
HOUSING: BLK MOLDED DELRIN
CONTACT: GOLD PLATED BeCu
HEAT SHRINK: BLK HEAT SHRINK
3. P/N: XKBLK
HOUSING: BLK GLASS FILLED CELCON.
CONTACT: STAINLESS STEEL.
SPRING: STAINLESS STEEL.
4. P/N: XKRED
HOUSING: RED GLASS FILLED CELCON.
CONTACT: STAINLESS STEEL.
SPRING: STAINLESS STEEL.
5. P/N: W-500/0
20AWG TINNED COPPER STRANDING
0.080 [2.03] O.D. PVC INSULATION
6. P/N: W-500/2
20AWG TINNED COPPER STRANDING
0.080 [2.03] O.D. PVC INSULATION

LTR	REVISIONS		DATE	APPROVED
	DESCRIPTION			



		UNLESS OTHERWISE SPECIFIED DIMENSIONS ARE IN INCHES TOLERANCES ARE: FRACTIONS DECIMALS ANGLES ± .XX ± ± .XXX ±	CONTRACT NO.		E-Z-HOOK DIVISION OF TEKTEST INC. ARCADIA, CA 91006 U.S.A.
			APPROVALS	DATE	
		MATERIAL SEE NOTE.	DRAWN R.L.	4/19	DESCRIPTION BNC FEMALE BREAKOUT TO XK DOUBLE GRIPPER LEADS
		FINISH SEE NOTE.	APPROVED BY		
NEXT ASSY	USED ON				SIZE CODE IDENT NO. DRAWING NO. REV. B 08505 1001XK
APPLICATION		DO NOT SCALE DRAWING			SCALE 1:1 SHEET 1 OF 1