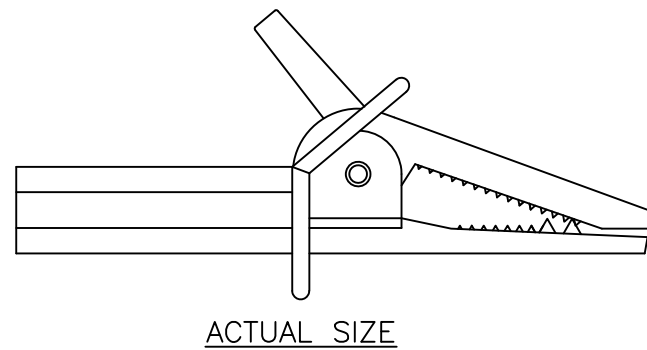
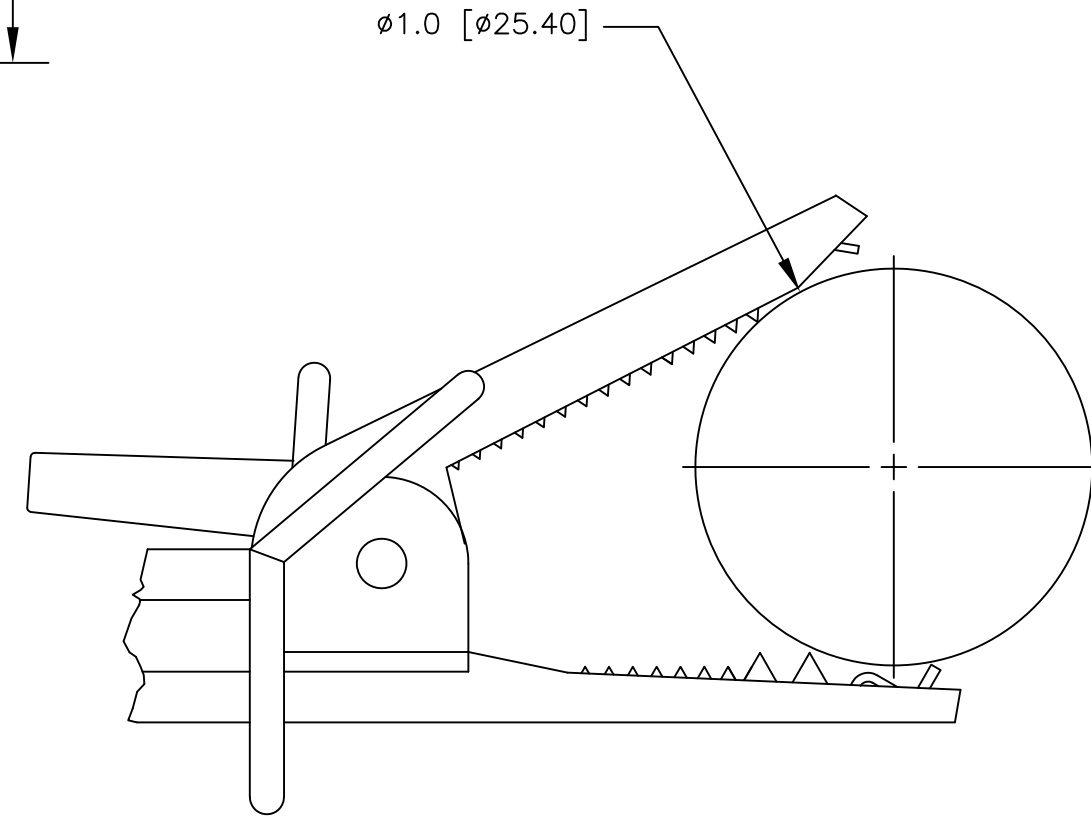
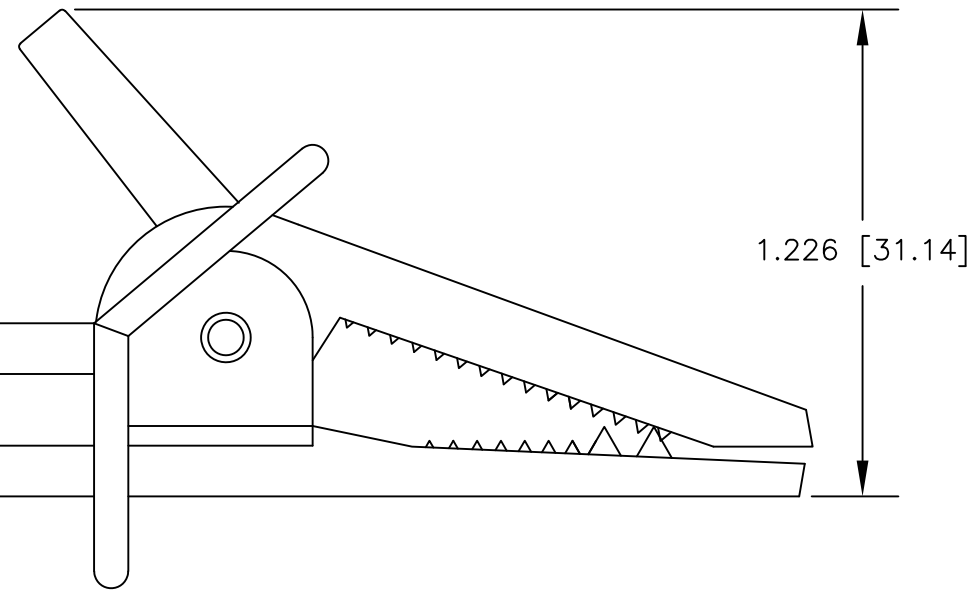
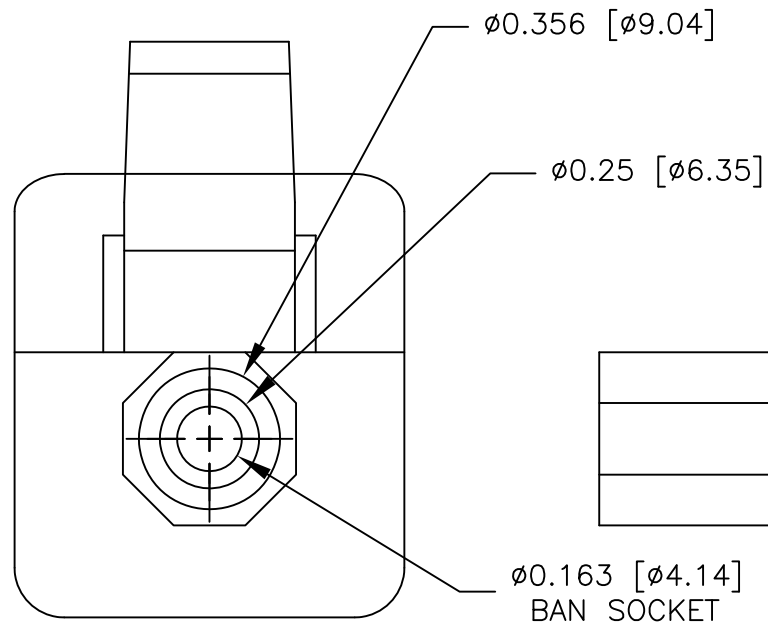
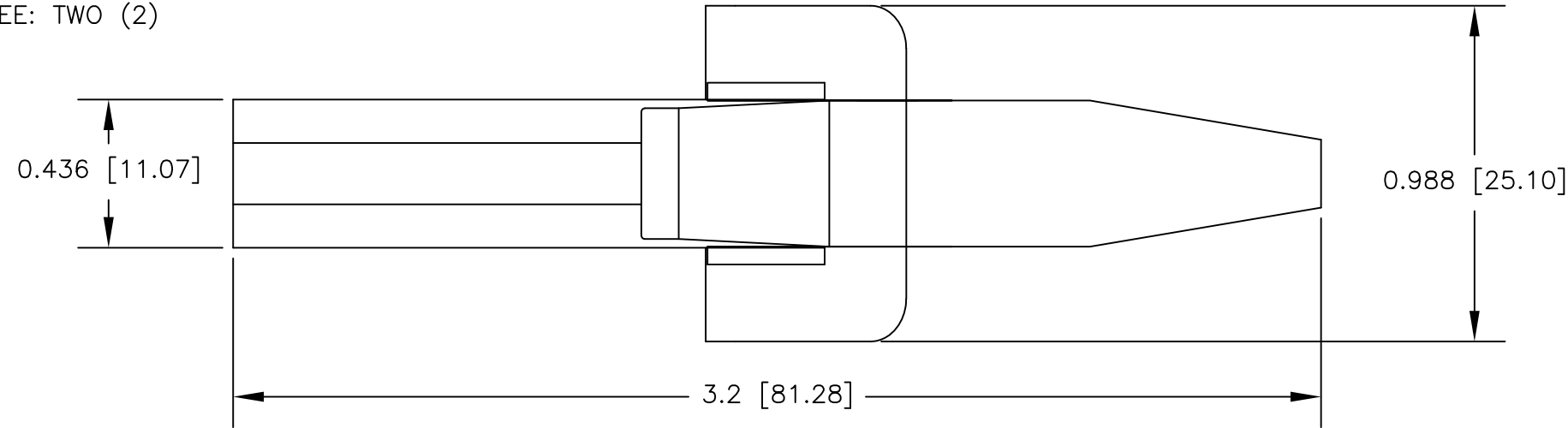


NOTES: UNLESS OTHERWISE SPECIFIED

1. MATERIAL:
 FRAME: NICKEL PLATED STEEL
 HOUSING: MOLDED NYLON. AVAILABLE IN TEN COLORS
2. ELECTRICAL: IEC 61010
 CURRENT RATING: 20 AMPS
 MEASUREMENT CATEGORY: 600V CAT III/1000V CAT II
 TEMPERATURE RANGE: -22° (30°C) TO 212°F (100°C)
 INSULATION CATEGORY: DOUBLE/REINFORCED
 POLLUTION DEGREE: TWO (2)

REVISIONS			
LTR	DESCRIPTION	DATE	APPROVED



UNLESS OTHERWISE SPECIFIED DIMENSIONS ARE IN INCHES TOLERANCES ARE: FRACTIONS DECIMALS ANGLES ± N/A .XX ± N/A ± N/A .XXX ± N/A		CONTRACT NO.		E-Z-HOOK DIVISION OF TEKTEST INC. ARCADIA, CA 91006 U.S.A.			
MATERIAL SEE NOTES		APPROVALS	DATE				
FINISH SEE NOTES		DRAWN S.B.W.	5/00	DESCRIPTION FLANGED INSULATED ALLIGATOR CLIP			
		APPROVED BY		SIZE	CODE IDENT NO.	DRAWING NO.	REV.
NEXT ASSY	USED ON			B	08505	9468	
APPLICATION		DO NOT SCALE DRAWING		SCALE	2:1	SHEET 1 OF 1	