

NOTES: UNLESS OTHERWISE SPECIFIED

1. CONSTRUCTION

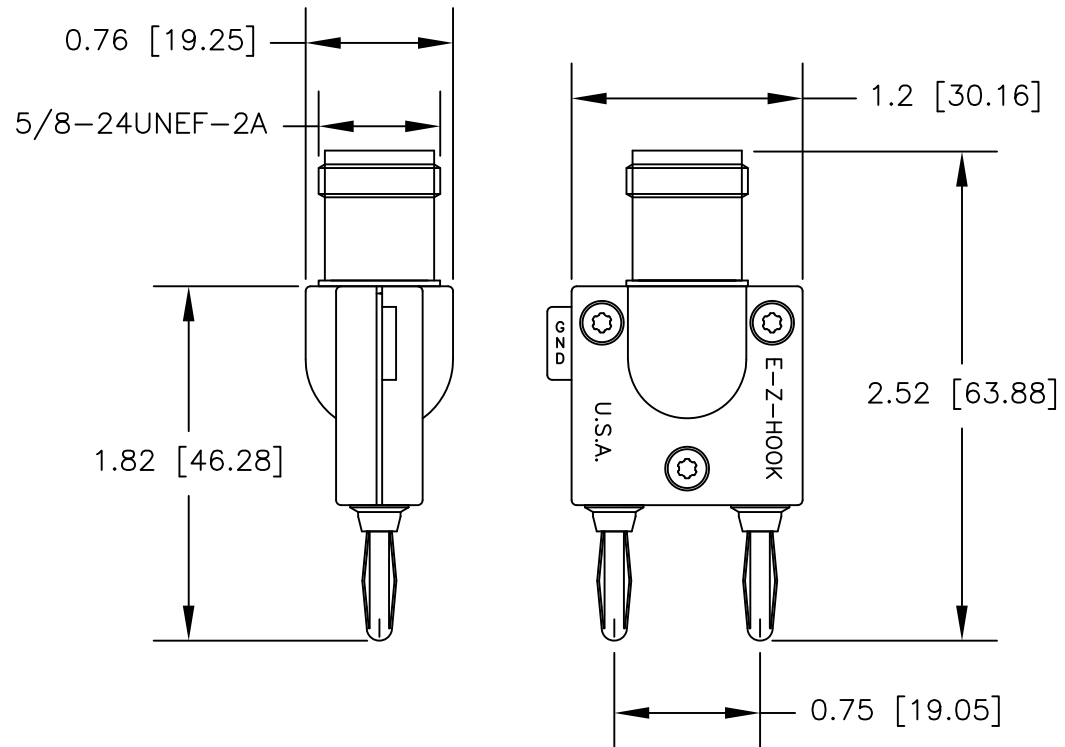
BODY & FITTINGS: NICKEL PLATED BRASS  
 PIN: GOLD PLATED BRASS.  
 DIELECTRIC: PTFE  
 HOUSING: MOLDED NYLON. AVAILABLE IN BLK.  
 BANANA PLUG: NICKEL PLATED BRASS.  
 BANANA PLUG CONTACT: NICKEL PLATED BeCu OR  
 PHOSPHOR BRONZE  
 HARDWARE: STAINLESS STEEL SCREW.

2. PERFORMANCE:

FOR "N" CONNECTOR ONLY  
 IMPEDENCE: 50 OHMS  
 FREQUENCY RANGE: 0-11 GHz  
 WORKING VOLTAGE: 1k V RMS @ SEA LEVEL  
 TEMPERATURE RANGE: -65°C TO 85°C  
 INSULATION RESISTANCE: 5k M OHMS MIN.

HOUSING ADAPTER IS NOT RF SHIELDED AND HAS  
 NO FREQUENCY RATING.

LTR	REVISIONS		
	DESCRIPTION	DATE	APPROVED



		UNLESS OTHERWISE SPECIFIED DIMENSIONS ARE IN INCHES TOLERANCES ARE: FRACTIONS DECIMALS ANGLES ± .XX ± ± .XXX ±	CONTRACT NO.		<b>E-Z-HOOK</b> DIVISION OF TEKTEST INC. ARCADIA, CA 91006 U.S.A.			
			APPROVALS	DATE				
		MATERIAL	DRAWN	APPROVED BY	TYPE "N" FEMALE TO STD DBL BAN PLUG ADAPTER			
		SEE NOTE.	RL	2/16	SIZE	CODE IDENT NO.	DRAWING NO.	REV.
		FINISH			A	08505	9414	
NEXT ASSY	USED ON	SEE NOTE.			SCALE			
APPLICATION		DO NOT SCALE DRAWING		1:1		SHEET 1 OF 1		