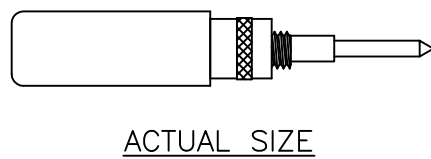
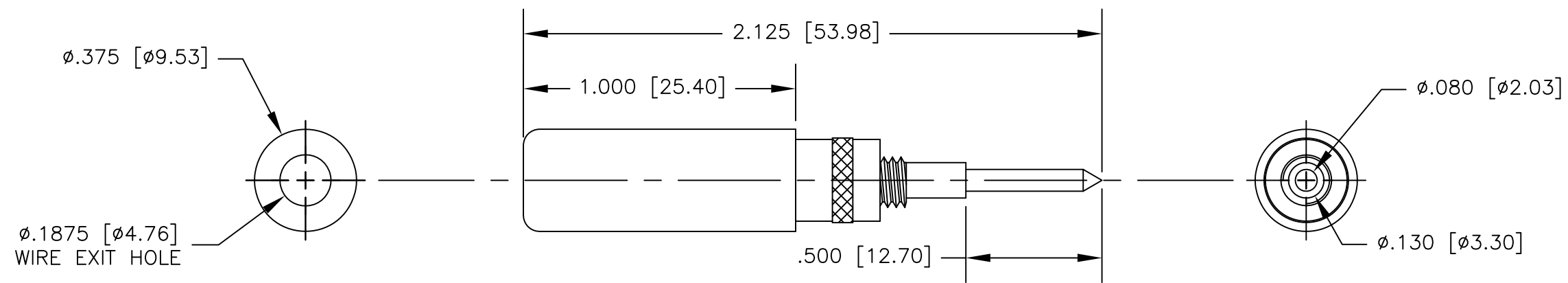
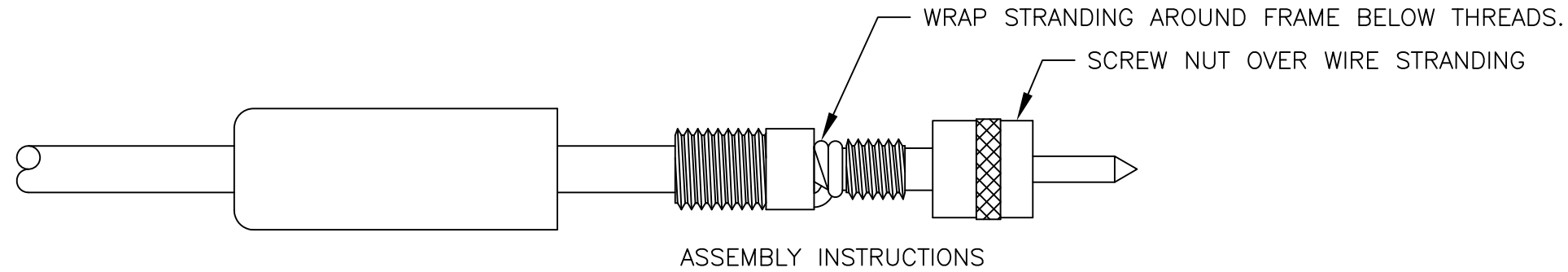
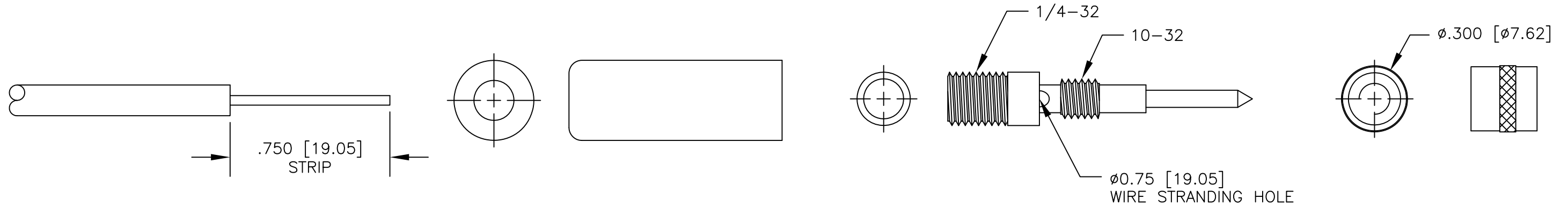


NOTES: UNLESS OTHERWISE SPECIFIED

- MATERIAL:
HOUSING: MOLDED PLASTIC. AVAILABLE IN BLK.
FRAME & NUT: NICKEL PLATED BRASS
- PERFORMANCE:
MAXIMUM CURRENT: 12 AMPS
MAXIMUM TEMPERATURE: 200°F (93°C)

LTR	DESCRIPTION	REVISIONS	
		DATE	APPROVED



		UNLESS OTHERWISE SPECIFIED DIMENSIONS ARE IN INCHES TOLERANCES ARE: FRACTIONS DECIMALS ANGLES ± N/A .XX ± N/A ± N/A .XXX ± N/A	CONTRACT NO.		E-Z-HOOK DIVISION OF TEKTEST INC. ARCADIA, CA 91006 U.S.A.
			APPROVALS	DATE	
		MATERIAL SEE NOTE.	DRAWN R.L.	12/16	DESCRIPTION INSULATED PHONE TIP 0.080 [2.03] PLUG
		FINISH SEE NOTE.	APPROVED BY		SIZE CODE IDENT NO. DRAWING NO. REV.
NEXT ASSY	USED ON				B 08505 9287
APPLICATION		DO NOT SCALE DRAWING			SCALE 2:1 SHEET 1 OF 1