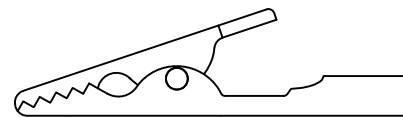
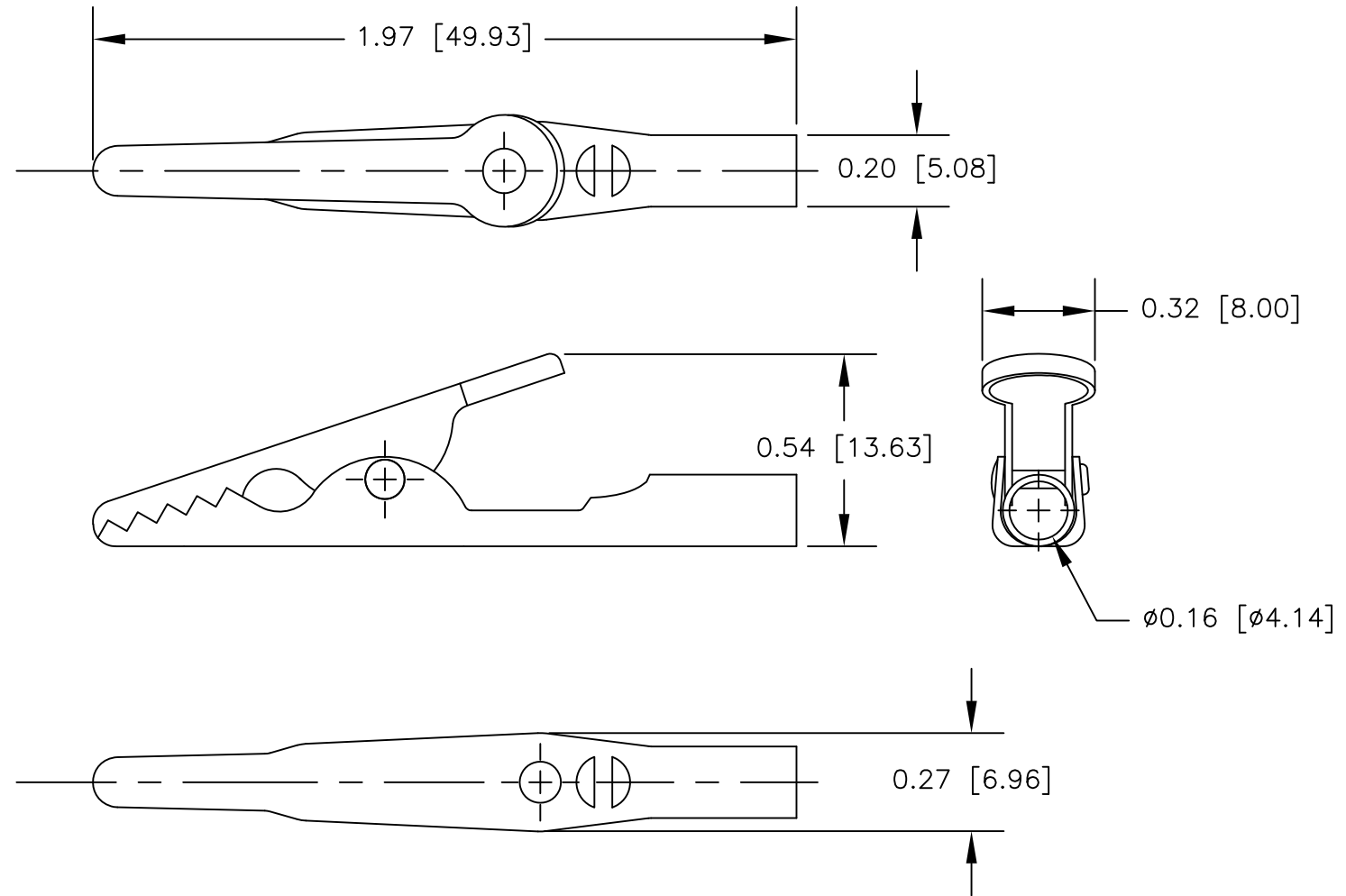
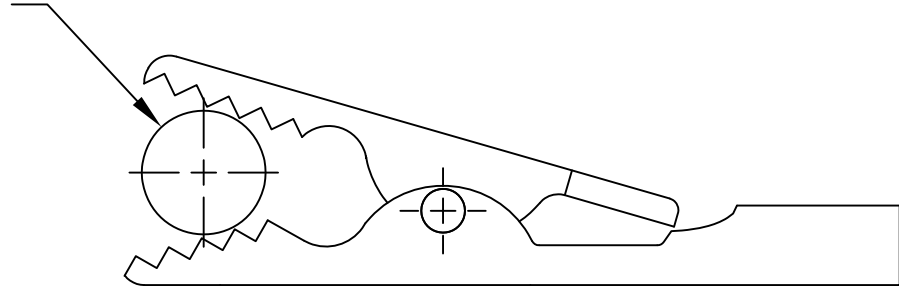


NOTES: UNLESS OTHERWISE SPECIFIED

- 1. PERFORMANCE:
MAX CURRENT: 10 AMPS
- 2. CONNECTION TYPES: SOLDER OR CRIMP

LTR	REVISIONS		DATE	APPROVED
	DESCRIPTION			

∅0.31 [∅7.92]
MAX JAW OPENING



ACTUAL SIZE

		UNLESS OTHERWISE SPECIFIED DIMENSIONS ARE IN INCHES TOLERANCES ARE: FRACTIONS DECIMALS ANGLES ± .XX ± ± .XXX ±	CONTRACT NO.		E-Z-HOOK DIVISION OF TEKTEST INC. ARCADIA, CA 91006 U.S.A.			
			APPROVALS	DATE				
		MATERIAL STEEL	DRAWN	S.B.W.	DESCRIPTION STANDARD ALLIGATOR CLIP			
			APPROVED BY					
		FINISH NICKEL PLATED			SIZE	CODE IDENT NO.	DRAWING NO.	REV.
NEXT ASSY	USED ON				B	08505	9270	
APPLICATION		DO NOT SCALE DRAWING		SCALE		SHEET 1 OF 1		
				4:1				