

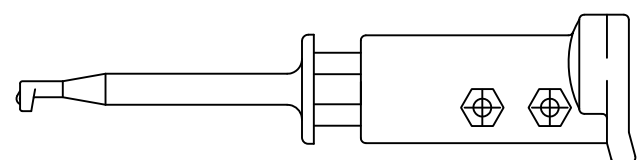
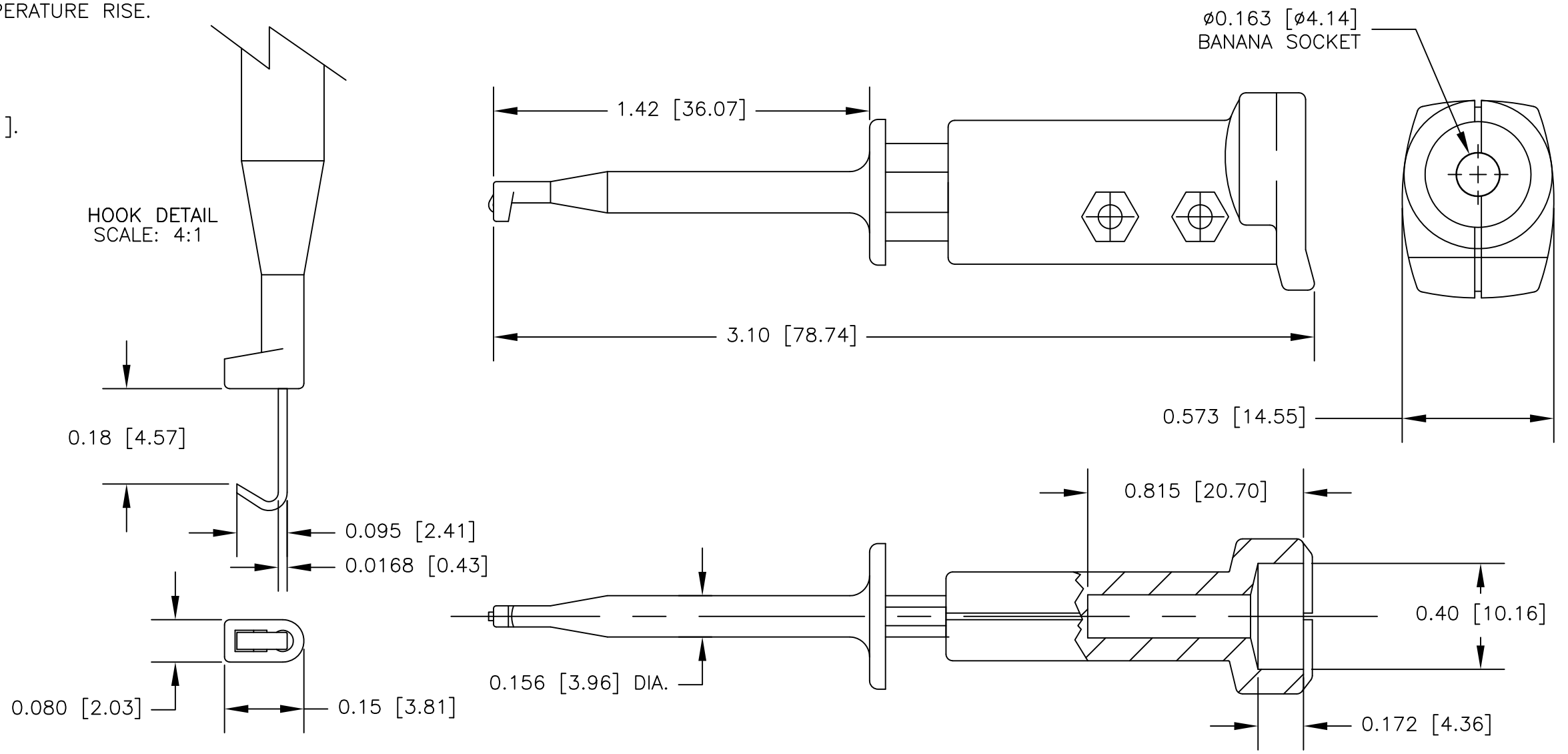
NOTES: UNLESS OTHERWISE SPECIFIED

1. CONSTRUCTION:  
 HOUSING & PLUNGER: NYLON. AVAILABLE IN 10 COLORS  
 CONTACT BLADE: GOLD PLATED BeCu  
 SPRING: STAINLESS STEEL  
 HARDWARE: STAINLESS STEEL.  
 CONTACT SOCKET: NICKEL PLATED BECU.

2. PERFORMANCE:  
 MAXIMUM CURRENT: 5.9 AMPS WITH A 77° TEMPERATURE RISE.  
 MAXIMUM VOLTAGE: 5.4 KV  
 MAXIMUM TEMPERATURE: 200°F (93°C)

3. FEATURES:  
 HOOK FITS COMPONENTS UP TO  $\phi 0.040$ " [ $\phi 1.01$ ].  
 $\phi 0.0163$ " [ $\phi 0.414$ ] BANANA SOCKET.  
 FIELD SERVICEABLE.

LTR	REVISIONS		DATE	APPROVED
	DESCRIPTION			



ACTUAL SIZE

		UNLESS OTHERWISE SPECIFIED DIMENSIONS ARE IN INCHES TOLERANCES ARE: FRACTIONS DECIMALS ANGLES ± .XX ± ± .XXX ±	CONTRACT NO.		<b>E-Z-HOOK</b> DIVISION OF TEKTEST INC. ARCADIA, CA 91006 U.S.A.
			APPROVALS	DATE	
		MATERIAL SEE NOTE.	DRAWN R.L.	11/09	DESCRIPTION MINI-HOOK (X100W) W/STD BANANA SOCKET
		FINISH SEE NOTE.	APPROVED BY		
NEXT ASSY	USED ON				SIZE <b>B</b>
APPLICATION		DO NOT SCALE DRAWING			CODE IDENT NO. <b>08505</b>
					DRAWING NO. <b>8036</b>
					REV.
					SCALE 2:1
					SHEET 1 OF 1

THE INFORMATION CONTAINED IN THIS DOCUMENT IS PROPRIETARY TO E-Z-HOOK. THE INFORMATION IS NOT TO BE REPRODUCED WITHOUT PRIOR WRITTEN PERMISSION OF E-Z-HOOK, DIV. OF TEKTEST INC.  
 MAXIMUM TESTED RATINGS IN A HANDS-FREE CONTROLLED ENVIRONMENT. MAXIMUM RATINGS ARE NOT TO BE USED CONCURRENTLY.