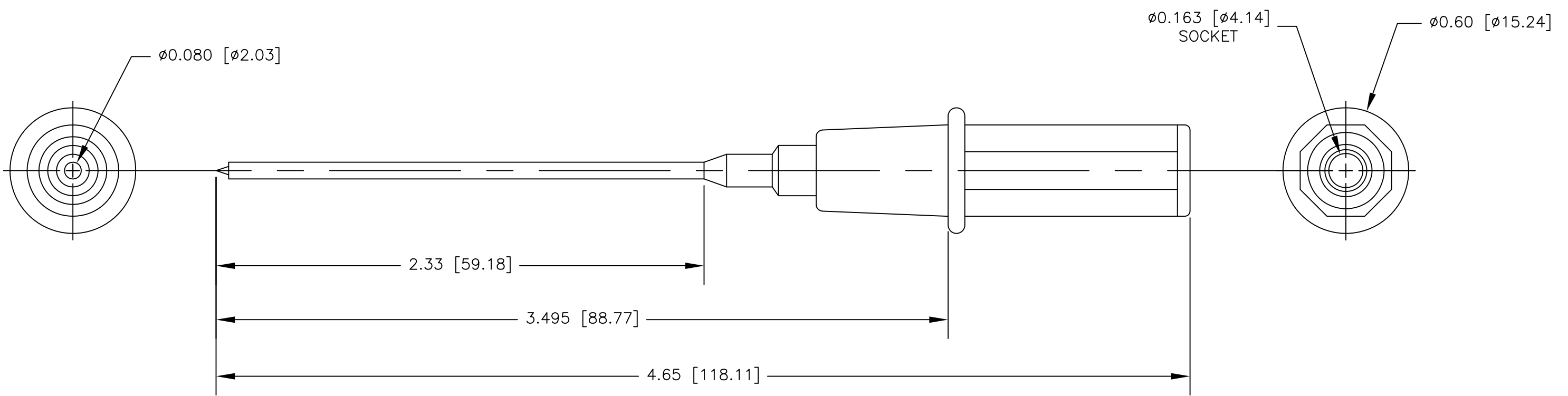


NOTES: UNLESS OTHERWISE SPECIFIED

1. CONSTRUCTION:  
 HOUSING: MOLDED GLASS FILLED NYLON  
 SOCKET: NICKEL PLATED BRASS  
 CONTACT TIP: GOLD PLATED SPRING STEEL
2. PERFORMANCE:  
 MAXIMUM CURRENT: 10 AMPS  
 MAXIMUM VOLTAGE: 1000V CAT III  
 MAXIMUM TEMPERATUR: 200°F(93°C)
3. FEATURES:  
 SOCKET ACCEPTS STANDARD & FIXED SHROUDED BANANA PLUGS.

REVISIONS			
LTR	DESCRIPTION	DATE	APPROVED



		UNLESS OTHERWISE SPECIFIED DIMENSIONS ARE IN INCHES TOLERANCES ARE: FRACTIONS DECIMALS ANGLES ± .XX ± ± .XXX ±	CONTRACT NO.		<b>E-Z-HOOK</b> DIVISION OF TEKTEST INC. ARCADIA, CA 91006 U.S.A.	
			APPROVALS	DATE		
		MATERIAL SEE NOTE.	DRAWN	S.B.W. 2/04	DESCRIPTION SPIKE STYLE PROBE	
			APPROVED BY			
		FINISH SEE NOTE.	SIZE	CODE IDENT NO.	DRAWING NO.	REV.
NEXT ASSY	USED ON		B	08505	67	
APPLICATION		DO NOT SCALE DRAWING	SCALE	1:1	SHEET 1 OF 1	

THE INFORMATION CONTAINED IN THIS DOCUMENT IS PROPRIETARY TO E-Z-HOOK. THE INFORMATION IS NOT TO BE REPRODUCED WITHOUT PRIOR WRITTEN PERMISSION OF E-Z-HOOK, DIV. OF TEKTEST INC. MAXIMUM TESTED RATINGS IN A HANDS-FREE CONTROLLED ENVIRONMENT. MAXIMUM RATINGS ARE NOT TO BE USED CONCURRENTLY.