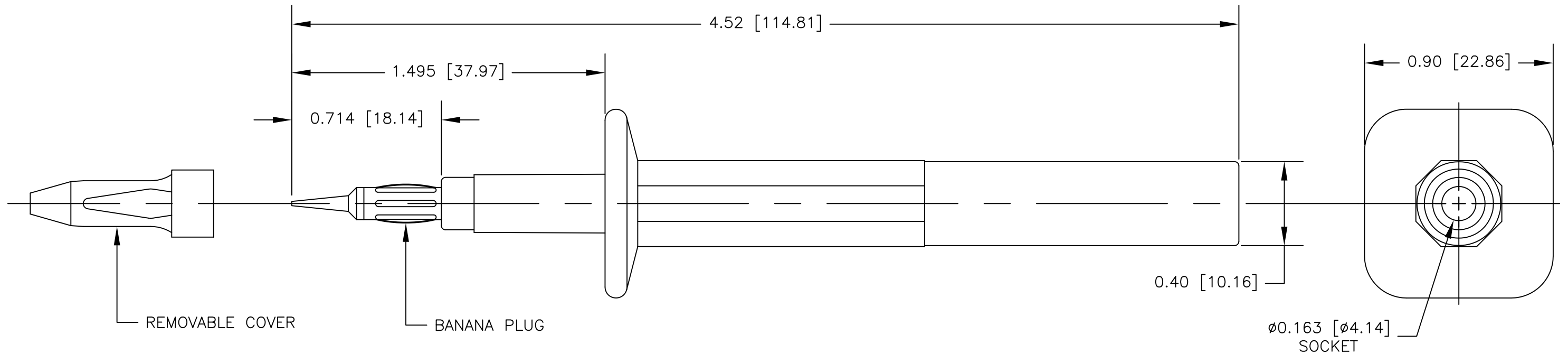


NOTES: UNLESS OTHERWISE SPECIFIED

1. CONSTRUCTION:
 HOUSING: MOLDED GLASS FILLED NYLON
 SOCKET & TIP: NICKEL PLATED BRASS
 CONTACT: NICKEL PLATED BeCu
2. PERFORMANCE:
 MAXIMUM CURRENT: 30 AMPS
 MAXIMUM VOLTAGE: 1000V CAT III
 MAXIMUM TEMPERATUR: 200°F(93°C)
3. FEATURES:
 SOCKET ACCEPTS STANDARD & FIXED SHROUDED BANANA PLUGS.

REVISIONS			
LTR	DESCRIPTION	DATE	APPROVED



		UNLESS OTHERWISE SPECIFIED DIMENSIONS ARE IN INCHES TOLERANCES ARE: FRACTIONS DECIMALS ANGLES ± .XX ± ± .XXX ±	CONTRACT NO.		E-Z-HOOK DIVISION OF TEKTEST INC. ARCADIA, CA 91006 U.S.A.	
			APPROVALS	DATE		
		MATERIAL SEE NOTE.	DRAWN	S.B.W. 2/04	DESCRIPTION PROBE WITH BAN PLUG END & POINT	
			APPROVED BY			
NEXT ASSY	USED ON	FINISH SEE NOTE.	SIZE	CODE IDENT NO.	DRAWING NO.	REV.
APPLICATION		DO NOT SCALE DRAWING	B	08505	66	
			SCALE	2:1		SHEET 1 OF 1