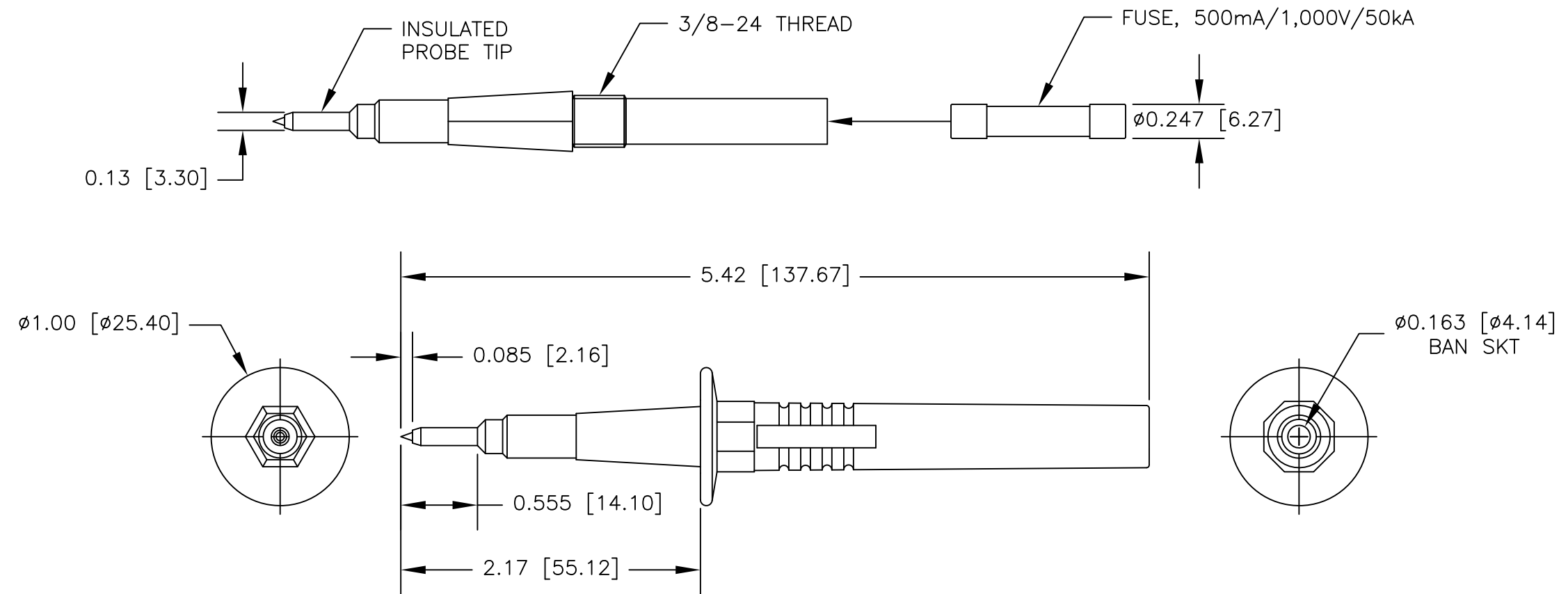


NOTES: UNLESS OTHERWISE SPECIFIED

1. CONSTRUCTION:  
HOUSING: MOLDED GLASS FILLED NYLON.  
AVAILABLE IN BLACK AND RED.  
CONTACT: NICKEL PLATED BRASS
2. PERFORMANCE: IEC 1010  
MAXIMUM CURRENT: AS PER FUSE FITTED  
MAXIMUM VOLTAGE: 1000V CAT III
3. FUNCTIONS:  
SOCKET ACCEPTS STANDARD BANANA AND  
FIXED SHROUDED BANANA PLUGS.

REVISIONS			
LTR	DESCRIPTION	DATE	APPROVED



		UNLESS OTHERWISE SPECIFIED DIMENSIONS ARE IN INCHES TOLERANCES ARE: FRACTIONS DECIMALS ANGLES ± .XX ± ± .XXX ±	CONTRACT NO.		<b>E-Z-HOOK</b> DIVISION OF TEKTEST INC. ARCADIA, CA 91006 U.S.A.
			APPROVALS	DATE	
		MATERIAL SEE NOTE.	DRAWN S.B.W.	2/04	DESCRIPTION FUSED PROBE
		FINISH SEE NOTE.	APPROVED BY		SIZE <b>B</b>
NEXT ASSY	USED ON				CODE IDENT NO. <b>08505</b>
APPLICATION		DO NOT SCALE DRAWING			DRAWING NO. <b>65</b>
					SCALE 1:1
					REV. 
					SHEET 1 OF 1