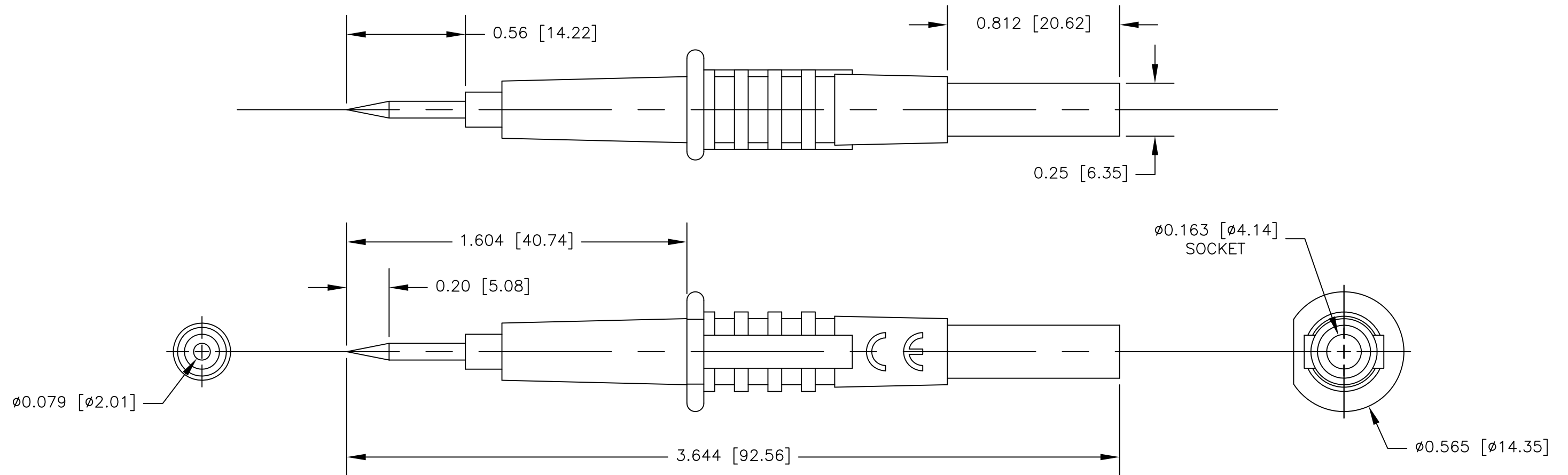


NOTES: UNLESS OTHERWISE SPECIFIED

1. CONSTRUCTION:  
 HOUSING: MOLDED GLASS FILLED NYLON. AVAILABLE IN BLACK & RED.  
 CONTACT TIP: SS  
 SOCKET: NICKEL PLATED BRASS.
2. PERFORMANCE:  
 MAXIMUM CURRENT: 30 AMPS  
 MAXIMUM VOLTAGE: 1000V CAT III  
 MAXIMUM TEMPERATURE: 200°F (93°C)
3. FEATURES:  
 SOCKET ACCEPTS STANDARD & SHROUDED BANANA PLUGS

REVISIONS			
LTR	DESCRIPTION	DATE	APPROVED



		UNLESS OTHERWISE SPECIFIED DIMENSIONS ARE IN INCHES TOLERANCES ARE: FRACTIONS DECIMALS ANGLES ± .XX ± ± .XXX ±	CONTRACT NO.		<b>E-Z-HOOK</b> DIVISION OF TEKTEST INC. ARCADIA, CA 91006 U.S.A.	
			APPROVALS	DATE		
		MATERIAL SEE NOTE.	DRAWN	S.B.W. 2/04	DESCRIPTION  PROBE (OEM STYLE)	
			APPROVED BY			
		FINISH SEE NOTE.	SIZE	CODE IDENT NO.	DRAWING NO.	REV.
NEXT ASSY	USED ON			<b>B</b>	<b>08505</b>	<b>63</b>
APPLICATION		DO NOT SCALE DRAWING	SCALE	2:1		SHEET 1 OF 1