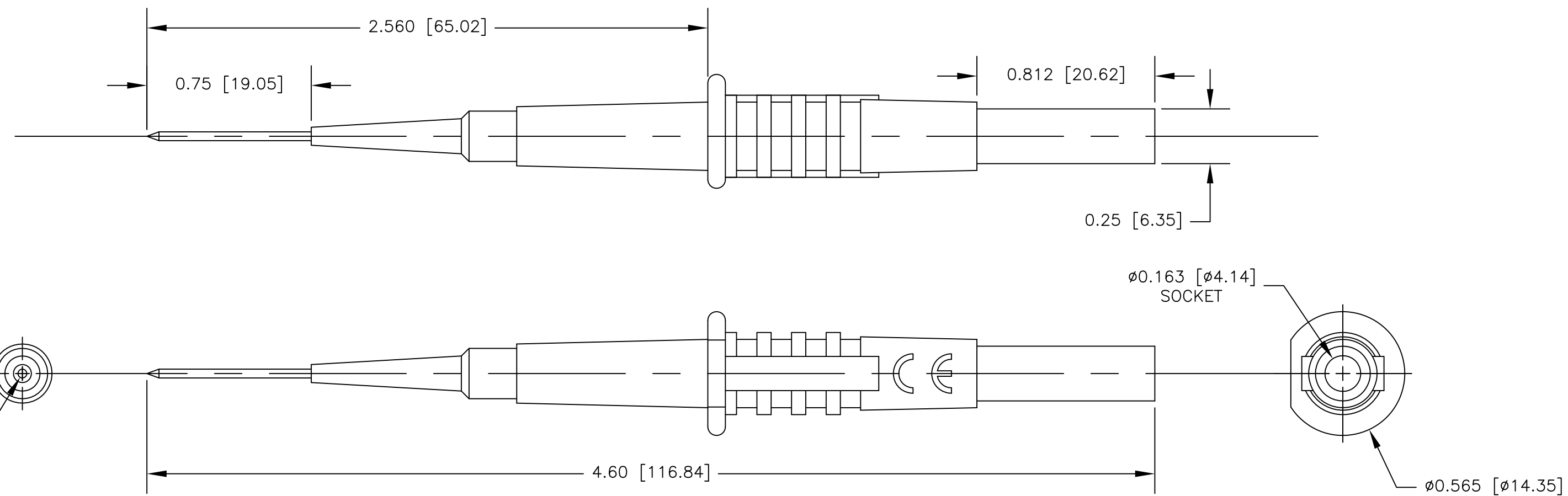


NOTES: UNLESS OTHERWISE SPECIFIED

1. CONSTRUCTION:  
HOUSING: MOLDED NYLON. AVAILABLE IN BLACK & RED  
CONTACT TIP: SS SPRING WIRE  
SOCKET: NICKEL PLATED BRASS.
2. PERFORMANCE:  
MAXIMUM CURRENT: 10 AMPS  
MAXIMUM VOLTAGE: 1KV CAT III  
MAXIMUM TEMPERATURE: 200°F (93°C)
3. FEATURES:  
ACCEPTS STANDARD & SHROUDED BANANA PLUGS.

REVISIONS			
LTR	DESCRIPTION	DATE	APPROVED



UNLESS OTHERWISE SPECIFIED DIMENSIONS ARE IN INCHES TOLERANCES ARE: FRACTIONS DECIMALS ANGLES ± .XX ± ± .XXX ±		CONTRACT NO.		<b>E-Z-HOOK</b> DIVISION OF TEKTEST INC. ARCADIA, CA 91006 U.S.A.			
MATERIAL SEE NOTE.		APPROVALS	DATE				
FINISH SEE NOTE.		DRAWN	S.B.W. 2/04	DESCRIPTION  BACK PROBING PROBE			
NEXT ASSY		USED ON	APPROVED BY				
APPLICATION		DO NOT SCALE DRAWING		SIZE	CODE IDENT NO.	DRAWING NO.	REV.
				B	08505	62	
				SCALE	2:1		SHEET 1 OF 1